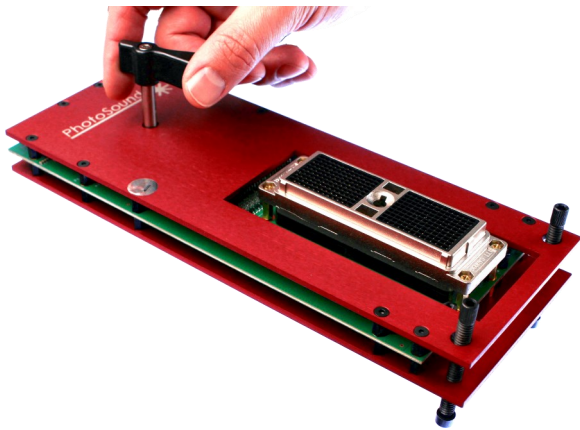


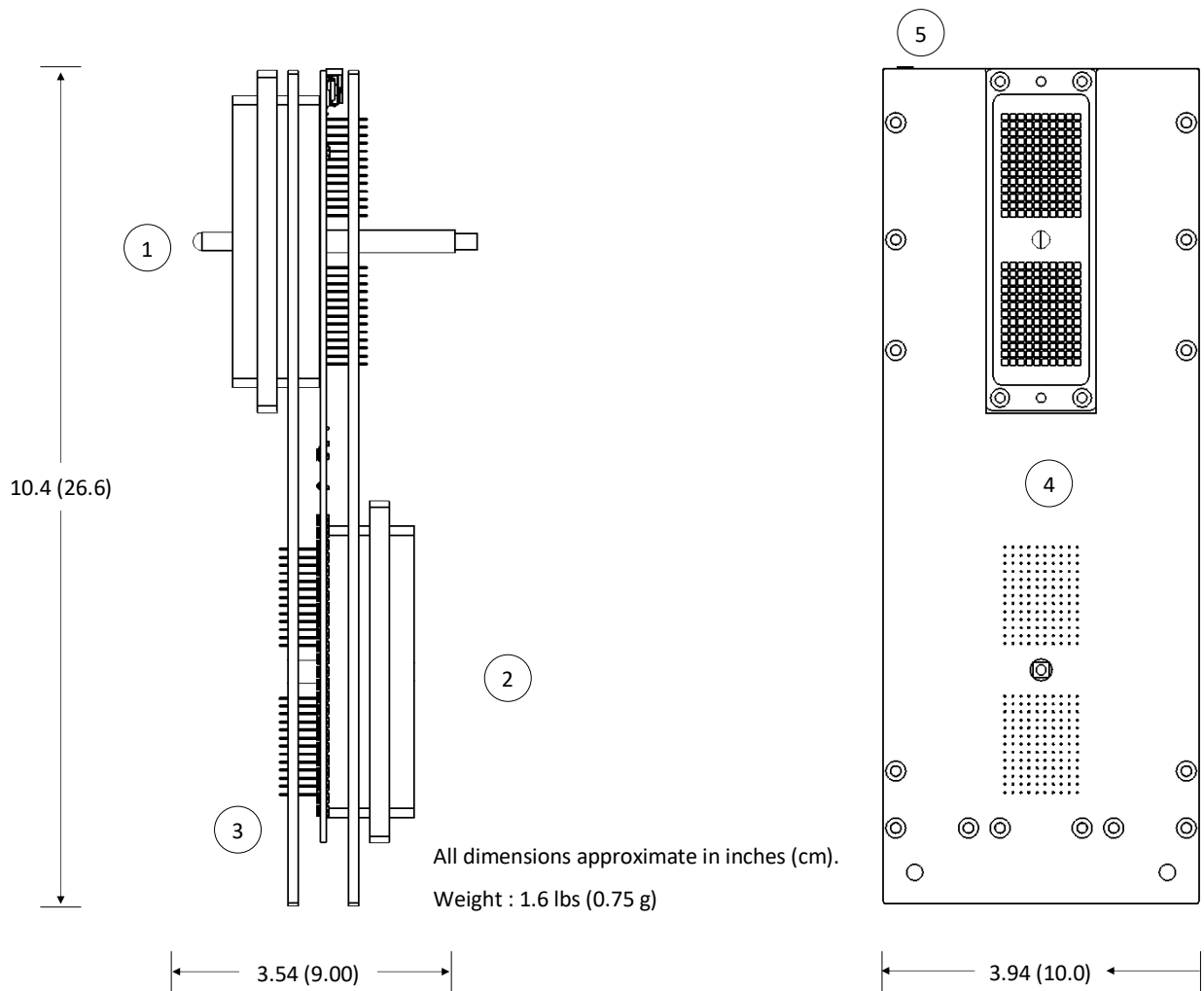
# LEGION™ AMP

## 128-Channel Preamplifier



- Amplify input signals for third-party ADC units
- Protective housing with stand-offs
- Cannon DLM260 input/output connectors
- Narrow housing design for fitting two side by side
- Compact 2 x 25 mm preamps per channel
- Heavy duty latch for locking preamp connection

<b>Channels</b>	128	
<b>Amplification <sup>(1)</sup></b>	40 dB	
<b>Input Impedance</b>	2.2 M $\Omega$	(1) Measured with 50 $\Omega$ load (actual gain depends on probe capacitance)
<b>Output Impedance</b>	50 $\Omega$	(2) Measured using signal generator and oscilloscope with 50 $\Omega$ input
<b>Bandwidth @ -6 dB <sup>(2)</sup></b>	40 kHz to 45 MHz	
<b>Input/Output Connector</b>	Cannon DLM260	



1. Medical grade Cannon DLM-260 probe input connector (pinout map available upon request). **Custom pin mapping to match existing third-party probes can replace default pinout map.**
2. Medical grade Cannon DLM-260 probe output connector (pinout map available upon request). **Custom pin mapping to match existing third-party probes can replace default pinout map.**
3. Adjustable offsets provide uniform pressure across the housing and against ADC unit when connecting probes (removeable).
4. Durable housing protects AMP printed circuit board from unintended exposure.
5. 5VDC 2.5A (power supply included)

Version AMP128.004.0220 © 2020

Trademarks are the property of PhotoSound®

All specifications are subject to change without notice.

LEGION™ AMP128 is classified EAR99 and does not require an export license.

**PhotoSound Technologies, Inc.** | Imaging and Data Acquisition Solutions

9511 Town Park Drive | Houston, TX 77036 USA

www.pst-inc.com | info@pst-inc.com | 713-401-9407

